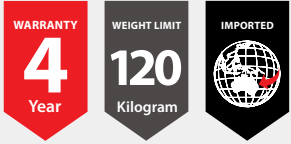


R1 TASK SEATING

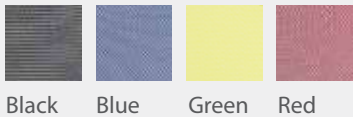
INTRO



FEATURES

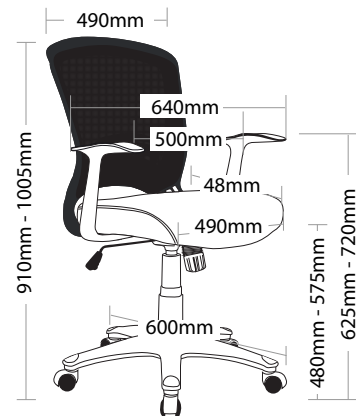
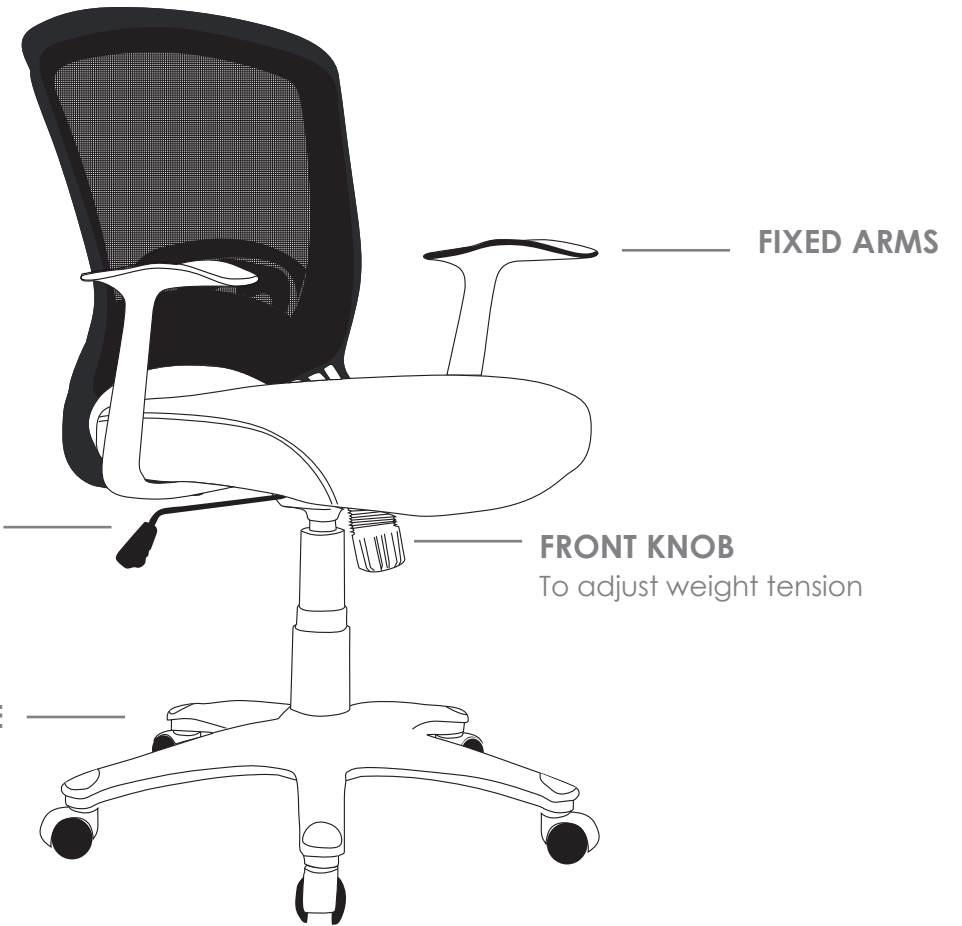
- » Adjustable seat height
- » Adjustable seat and back angle
- » Adjustable weight tension
- » Fixed arms
- » Butterfly mechanism
- » 600mm heavy duty 5 star base
- » Available in black, blue, green and red only
- » Minor assembly required
- » Suitable for indoor use only
- » 4 year warranty
- » Weight limit is 120kg

COLOUR



INDOOR USE ONLY

X Do not use as a step ladder



INTRO

INTRO TASK SEATING



INTRO-BLACK



INTRO-BLUE



INTRO-GREEN



INTRO-RED